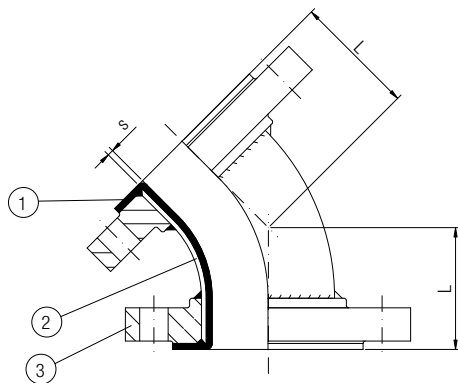


## Curve a 45° rivestite in PTFE

- ASME/ANSI B16.5 Class 150
- DN 1/2" - DN 24"
- Versione standard: 2 flange fisse
- Corpo in acciaio al carbonio



## PTFE-lined 45° elbows

- ASME/ANSI B16.5 Class 150
- DN 1/2" - DN 24"
- Standard version: 2 fixed flanges
- Carbon steel body

### Materiali/Materials

- |            |                          |
|------------|--------------------------|
| <b>1</b>   | PTFE ASTM D-4894 or 4895 |
| <b>2.1</b> | ASTM A 106               |
| <b>2.2</b> | St 37.0 - DIN 2448       |
| <b>3</b>   | ASTM A 105               |

### Fornibili a richiesta/Available on request

- Connessioni flangiate:  
1 flangia fissa e 1 flangia libera o 2 flange libere  
*Flange connection:*  
1 fixed flange and 1 loose flange or 2 loose flanges
- ANSI B16.5 - Classe 300/ANSI B16.5 - Class 300
- Resistenti al vuoto/*Vacuum resistance*
- PTFE antistatico/*Antistatic PTFE*
- Corpo in acc. inox/*Stainless steel body*
- Diametri superiori a richiesta/*Higher diameters on request*

DN	L mm	s mm	Peso ca. kg/Weight
1/2"	45	2,5	1,7
3/4"	45	2,5	2
1"	45	3,0	3
1 1/4"	51	4,0	4
1 1/2"	57	4,0	6
2"	64	4,0	9
2 1/2"	76	4,0	13
3"	76	4,0	15
4"	102	4,5	20
5"	114	5,0	26
6"	127	6,5	33
8"	140	7,0	54
10"	165	6,0	75
12"	190	6,5	110
14"	190	7,0	118
16"	203	7,0	145
18"	216	7,0	165
20"	241	8,0	210
24"	279	8,0	290