

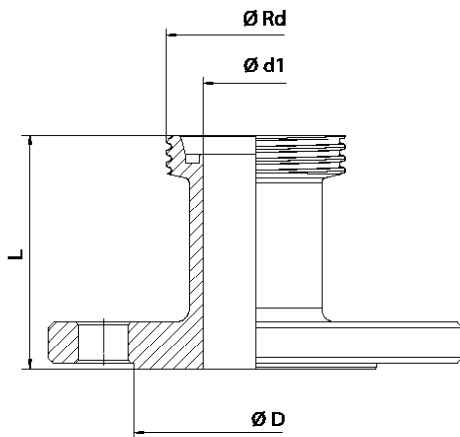


□ AISI 316L DIN 11851 FEMALE FLANGED CONNECTION DIFLON B5

The fitting is used in chemicals and food industries to connect hoses to equipments and plants.

Standard construction material is AISI 316L.
It is DIN 405 threaded.

The fittingr flange is made according to the Standard Specification required by the customer.



RECOMMENDED GASKET

DIFLEX DIN 11851 gasket, resistant to all acids and chemicals, pharmaceuticals and food products with temperatures from -170 °C to +270 °C and pressures up to 50 bar.



GASKET DIN 11851

DN	L	ØRd	Ø D DIN	Ø D ANSI	Ø d1
25 - 1"	80	52-6	68	51	26
32 - 1 ¼"	85	58-6	78	64	32
40 - 1 ½"	90	65-6	88	73	38
50 - 2"	95	78-6	102	92	50
65 - 2 ½"	100	95-6	122	105	66
80 - 3"	110	110-4	138	127	81
100 - 4"	120	130-4	158	158	100

DN	Ø A	Ø B	C
25 - 1"	40	30	5
32 - 1 ¼"	46	36	5
40 - 1 ½"	52	42	5
50 - 2"	64	54	5
65 - 2 ½"	81	71	5
80 - 3"	95	85	5
100 - 4"	114	104	5