



□ AISI 316L PFA LINED LAS FL EN 14420-7:2004 CAM & GROOVE RETAINER DIFLON F8

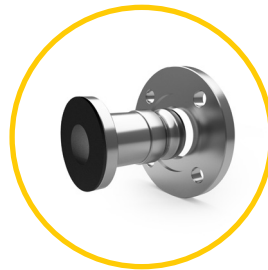
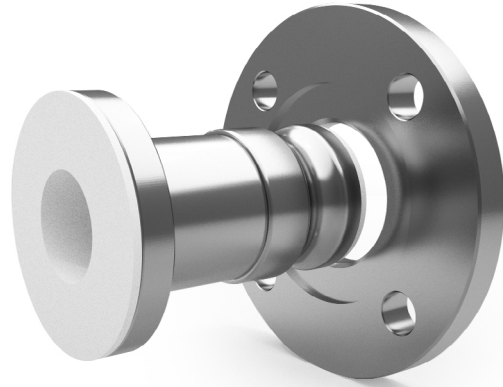
The fast fitting is used in chemical, pharmaceutical and food industries.

The CELERITY in connecting hoses, to equipments and plants is what distinguishes this type of fitting from the other ones.

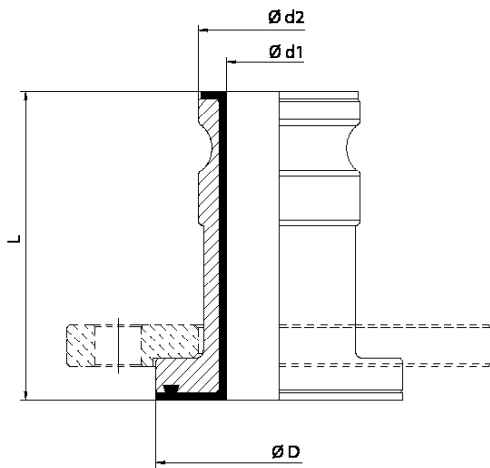
The standard construction material is AISI 316L/PFA.

The inner lining ensures resistance against nearly all chemicals, pH 0÷14, design temperature -40 °C ÷ 200 °C.

The flange can be provided in the Standard Specification and material according to customer requirements.

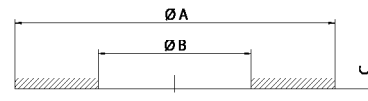


Antistatic version



RECOMMENDED GASKET

DIFLEX flat gasket, resistant to all acids and chemicals, pharmaceuticals and food products with temperatures from -170 °C to +270 °C and pressures up to 50 bar.



FLAT GASKET

DN	L	Ø D	Ø d1	Ø d2
20 - ¾"	85	47	17	29
25 - 1"	95	58	20	36,5
32 - 1 ¼"	100	68	28	44,5
40 - 1 ½"	105	78	32	53
50 - 2"	115	92	42	63
65 - 2 ½"	125	105	55	75,5
80 - 3"	130	127	70	91
100 - 4"	130	158	94	120

DN	Ø A	Ø B	C
20 - ¾"	58	20	5,53
25 - 1"	68	25	6,35
32 - 1 ¼"	78	32	6,35
40 - 1 ½"	88	40	6,35
50 - 2"	102	50	6,35
65 - 2 ½"	122	65	6,35
80 - 3"	138	80	6,35
100 - 4"	158	100	6,35