



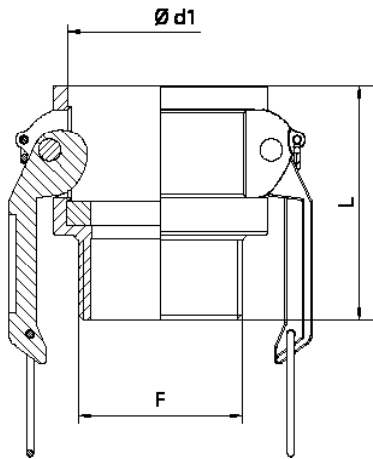
**□ AISI 316L B TYPE - EN 14420-7:2004 CAM & GROOVE DIFLON F18**

The fast fitting is used in chemical, pharmaceutical and food industries.

The CELERITY in connecting hoses, to equipments and plants is what distinguishes this type of fitting from the other ones.

The standard construction material is AISI 316L.

External BSP/GAS threaded end.



**RECOMMENDED GASKET**

DIFLEX CAM & GROOVE gasket, resistant to all acids and chemicals, pharmaceuticals and food products with temperatures from -170 °C to +270 °C and pressures up to 50 bar.



**GASKET CAM & GROOVE**

DN	L	Ø d1	F
15 - 1/2"	51	25,5	1/2"
20 - 3/4"	51	30	3/4"
25 - 1"	62	37,5	1"
32 - 1 1/4"	70	45,5	1 1/4"
40 - 1 1/2"	72	54	1 1/2"
50 - 2"	77	64	2"
65 - 2 1/2"	85	76,5	2 1/2"
80 - 3"	91	92	3"
100 - 4"	95	121	4"

DN	Ø A	Ø B	C
15 - 1/2"	26	17	3,96
20 - 3/4"	35	22	5,53
25 - 1"	40	27	6,35
32 - 1 1/4"	49	34	6,35
40 - 1 1/2"	55	41	6,35
50 - 2"	66	51	6,35
65 - 2 1/2"	79	60	6,35
80 - 3"	94	76	6,35
100 - 4"	123	102	6,35